



**6x2 HDMI
Switcher
USER MANUAL**

ASKING FOR ASSISTANCE

Technical Support:

Telephone (818) 884-6294
(800) 545-6900

Fax (818) 884-3108

Technical Support Hours:

9:00 AM to 5:00 PM Monday thru Friday.

Write To:

Gefen Inc.
C/O Customer Service
6265 Variel Ave.
Woodland Hills, CA 91367-9897

Notice

Gefen Inc. reserves the right to make changes in the hardware, packaging and any accompanying documentation without prior written notice.

6x2 HDMI Switcher is a trademark of Gefen Inc.
HDMI is a trademark of hdmi.org

TABLE OF CONTENTS

- 1** Introduction
- 2** Features
- 3** Front Panel Description
- 4** Back Panel Description
- 5** Connecting and Operating the 6x2 HDMI Switcher
- 6** RMT6-IR Installation
- 7** RS-232 Interface
- 8** Rack Mount Diagram
- 9** Specifications
- 10** Warranty

INTRODUCTION

Congratulations on your purchase of the ex•tend•it 6x2 HDMI Switcher. Your complete satisfaction is very important to us.

Gefen's line of HDTV switches, extenders, and splitters are designed to make your A/V equipment use more comfortable, more productive and less expensive.

The 6x2 HDMI Switcher allows access to six HDTV devices, using two HDTV displays. Both output displays will have mirrored images. Also included is a TOSLINK output that will output the HDMI digital audio signal in Toslink digital audio form.

The ex•tend•it line offers solutions for Home Theater, AV installation, noise, space and security concerns, data center, information distribution, conference room presentation, school and corporate training environments.

Our Commitment

Gefen will always offer the finest quality product at the best possible price. Included in that price is a lifetime support from a team of outstanding engineers.

The ex•tend•it 6x2 HDMI Switcher allows six HDTV HDMI devices to be switched easily in to two HDTV HDMI compatible monitors or projectors. Simply connect your HDTV displays to the Switcher's display outputs. The 6x2 HDMI Switcher can also be placed at the end of a long HDMI cable to regenerate the HDMI signal.

FEATURES

Features

- Switches easily between any six HDMI sources
- Maintains 480i, 480p, 720p, 720i, and 1080i, 1080p resolutions
- Maintains highest HDMI single link video resolution
- Maintains highest HDMI digital audio signal
- Includes TOSLINK output for easy hookup to digital audio systems
- Supports HDCP compliant devices
- HDMI or DVI to HDMI cables are used to connect the inputs and switcher output
- Inputs can be switched with the IR remote control, contact closure controller or through the RS232 connector.
- Installs in seconds

Includes:

6 x 6' HDMI cables (m-m)
24VDC Power Supply
RMT6-IR
The 6x2 HDMI Switcher
Rack Ears
Manual

FRONT PANEL DESCRIPTIONS



3



Indicates if input
1,2,3,4,5, or 6 is
selected

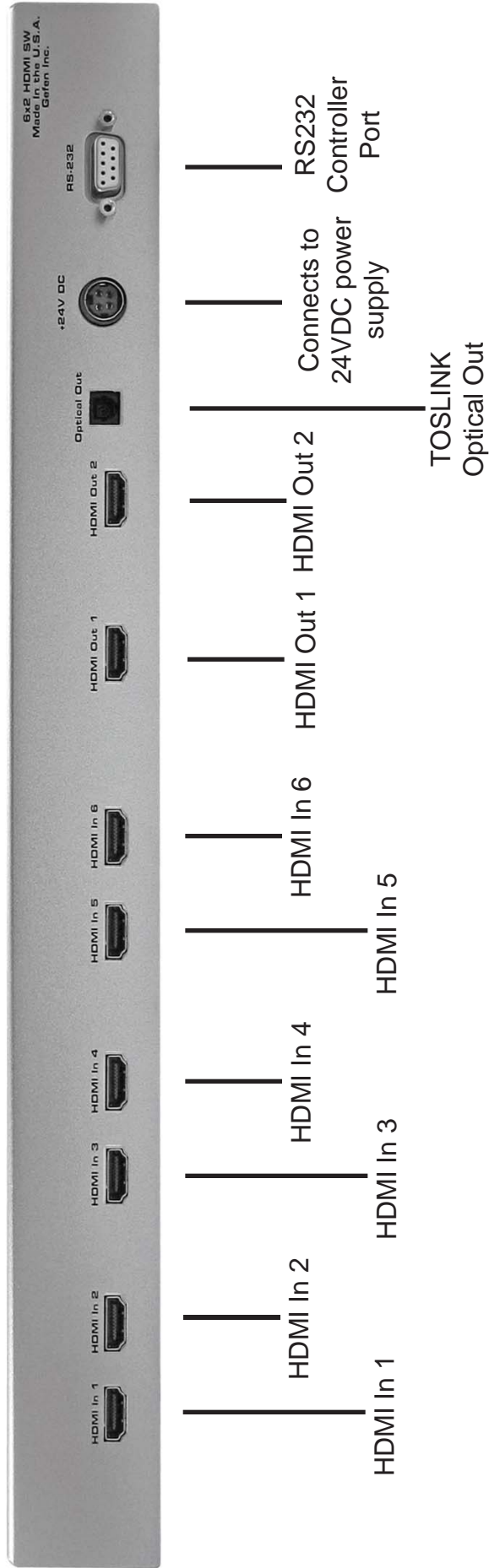


IR eye



IR Extender
Eye Port

BACK PANEL DESCRIPTIONS



Connecting and Operating the 6x2 HDMI Switcher

How to Connect the 6x2 HDMI Switcher to your devices

- 1 Connect the supplied cables from the HDTV sources into the 6x2 HDMI Switcher inputs.
- 2 Connect the cable from your display (monitor or projector) into the HDMI outs of the 6x2 HDMI Switcher.
- 3 Connect any Digital Audio Receiver into the Toslink out of the 6x2 HDMI Switcher
- 3 Plug the 5VDC power supply into the 6x2 HD Switcher.

***Note:** TOSlink is only enabled if you are using an HDMI source and an HDMI display, otherwise the source goes into DVI mode by reading the DVI display EDID, and at the moment, the ABC buttons are not enabled on the remote.

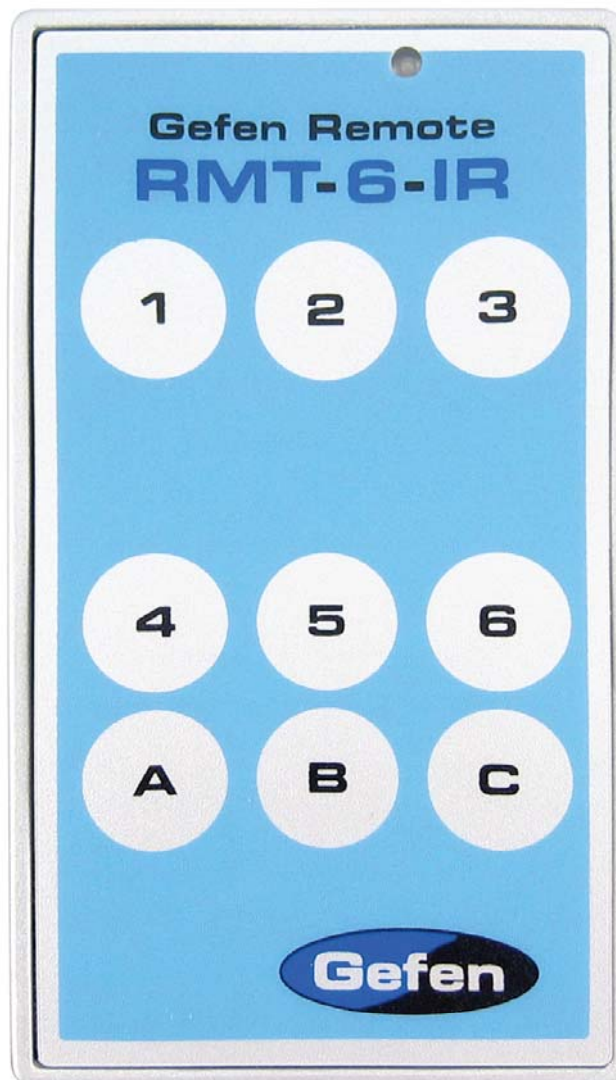
How to Control the 6x2 HDMI Switcher

Use the RMT6-IR remote control to toggle between sources.

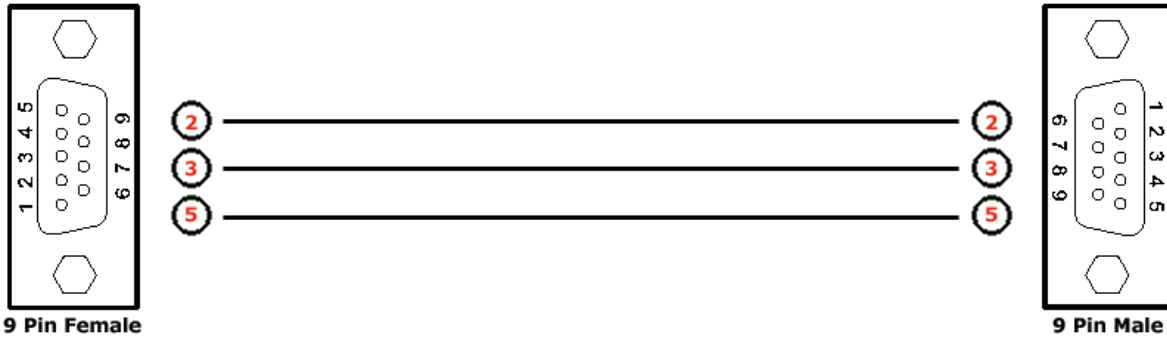
RMT6-IR Installation

1. Remove battery cover from the back of the RMT6-IR remote.
2. Verify that dip switches 1 & 2 are in the down (OFF) position.
3. Insert the battery, hold the battery so that you can see the positive side facing up. The side that is not marked must be facing down.
4. Test the RMT6-IR remote by pressing **ONLY** one button at a time. The indicator light on the remote will flash once each time you press a button. **WARNING:** Do not press multiple buttons simultaneously and do **NOT** press buttons rapidly. These actions will cause the remote to reset and steps 1-4 will have to be repeated.

Note: The RMT6-IR ships with two batteries. One battery is required for operation, the second battery is complimentary.



RS-232 Interface



Binary Table

Input	Binary
1	0011 0001
2	0011 0010
3	0011 0011
4	0011 0100
5	0011 0101
6	0011 0110

RS232 Settings

Bits per second 19200

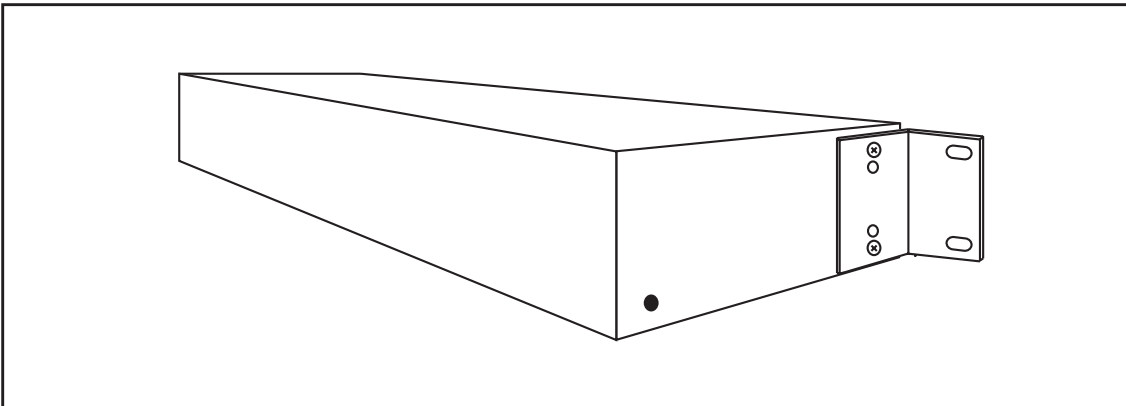
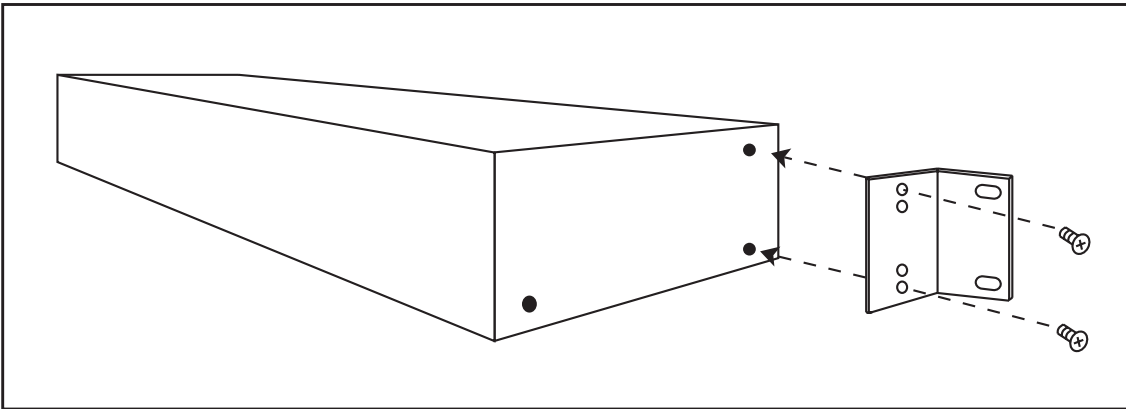
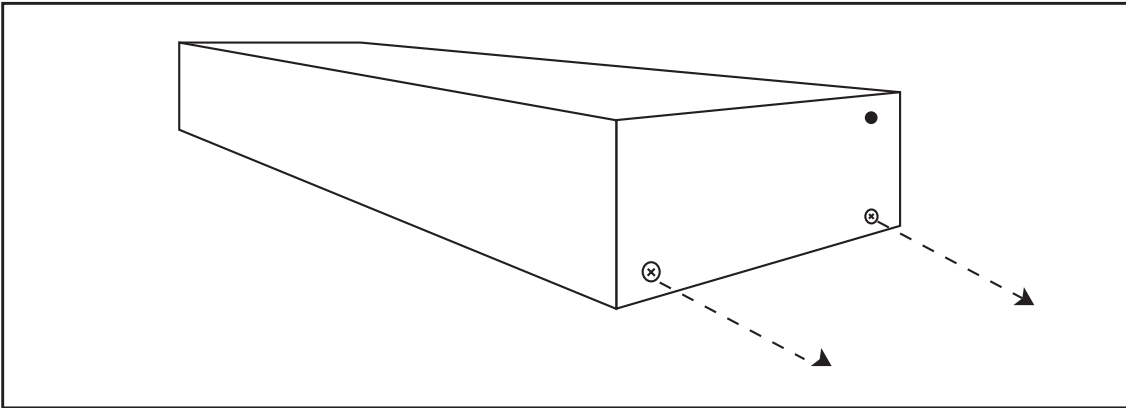
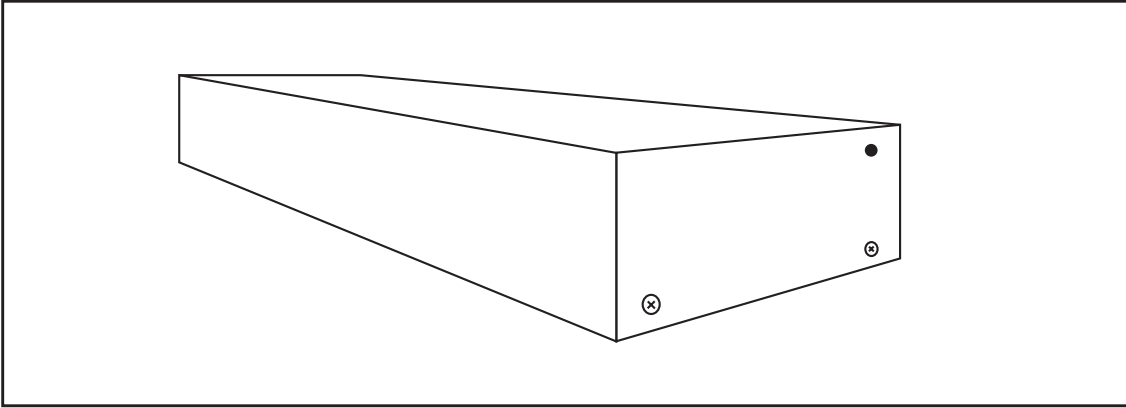
Data bits 8

Parity None

Stop bits1

Flow Control None

6x2 HDMI SWITCHER RACK MOUNT DIAGRAM



SPECIFICATIONS

Video Amplifier Bandwidth	1.65 GHz
Input Video Signal	1.2 volts p-p
Input DDC Signal	5 volts p-p (TTL)
Single Link Range1080p / 1920 x 1200
Input Connector Type	HDMI
Output Connector Type	HDMI
Output Audio Connector Type.....	...TOSLINK
Power Consumption	15 Watts (max.)
Power Supply	24VDC
Dimensions	17"W x 1.75"H x 5.875"D
Shipping Weight	8 Lbs

WARRANTY

Gefen Inc. warrants the equipment it manufactures to be free from defects in material and workmanship.

If equipment fails because of such defects and Gefen Inc. is notified within one (1) year from the date of shipment, Gefen Inc. will, at its option, repair or replace the equipment, provided that the equipment has not been subjected to mechanical, electrical, or other abuse or modifications.

Equipment that fails under conditions other than those covered will be repaired at the current price of parts and labor in effect at the of repair. Such repairs are warranted for ninety (90) days from the day of reshipment to the Buyer.

This warranty is in lieu of all other warranties expressed or implied, including without limitation, any implied warranty or merchantability or fitness for any particular purpose, all of which are expressly disclaimed.

The information in this manual has been carefully checked and is believed to be accurate. However, Gefen Inc. assumes no responsibility for any inaccuracies that may be contained in this manual. In no event will Gefen Inc., be liable for direct, indirect, special, incidental, or consequential damages resulting from any defect or omission in this manual, even if advised of the possibility of such damages. The technical information contained herein regarding 6x2 HDMI Switcher features and specifications is subject to change without notice.

* MA- hdmi - 642*

6265 Variel Avenue Woodland Hills, CA 91367
1-800-545-6900 818-884-6294 fax: 818-884-3108
www.gefen.com gsinfo@gefen.com